

# Symposium™ Interactive Pen Display

## Specifications – Model DT770

### Physical Specifications

<b>Size</b>		19" W × 3 5/8" D × 18" H (48.3 cm × 9.2 cm × 45.7 cm)
	Display Area	13 1/4" W × 10 5/8" H (33.7 cm × 27.0 cm) 17" (43.2 cm) diagonal
<b>Weight</b>	DT770	19 lb. 8 oz. (8.9 kg)
<b>Estimated Shipping Size</b>	Carton	27 1/2" W × 11" D × 26 1/2" H (69.9 cm × 27.9 cm × 67.3 cm)
<b>Estimated Shipping Weight</b>	Carton and Contents	34 lb. (15.4 kg)

All dimensions +/- 1/8" (3.2 mm). All weights +/- 2 lb. (0.9 kg).

### Console Features

<b>Software</b>	SMART Board™ software and Notebook™ software. Free software upgrades are available at <a href="http://www.smarttech.com/support/software/index.asp">www.smarttech.com/support/software/index.asp</a> .
<b>Technology</b>	Dual touch DViT™ (Digital Vision Touch) technology
<b>Pen</b>	Battery-free, tethered pen with LED status indicator. Convenient magnetized storage location for easy access.
<b>Pen Tool Buttons</b>	Lighted buttons for controlling the pen behavior: Left Mouse, Right Mouse, Digital Ink (Black, Blue, Red and Green) and Eraser
<b>Function Buttons</b>	Programmable buttons for accessing tools and applications: Floating Tools, Notebook Software, Screen Capture and Keyboard
<b>Room Control Button</b>	Button for launching room control interface menu
<b>Input/Output Interface</b>	Video IN HD15 (F) Video OUT HD15 (F) - internal distribution amplifier supports cable length up to 100' (30 m) Pen Tether 3.5 mm stereo jack USB USB (B) (×1) integrated USB 2.0 hub to connect the DT770 to your computer USB USB (A) (×3) integrated USB 2.0 hub to connect a mouse, keyboard or memory storage device Serial DB9 (F) VDC IN 4 pin mini-DIN
<b>Power Supply</b>	<b>NOTE:</b> You can connect the interactive pen display to your computer using either a USB or serial connection. Input: 100V–240V AC 50/60 Hz. Output: 12V DC, 5A, 60W maximum
<b>Power Management</b>	VESA DPMS
<b>Power Consumption</b>	Normal operation: <60W (Power LED green). suspend/Standby mode: <25W (Power LED orange). Off: <5W (Power LED off).
<b>Mechanical Mounting</b>	Standard VESA 100 mm rear mounting plate
<b>Stand</b>	Choose between two operating angles, 30° or 45° from horizontal
<b>Security</b>	Kensington® security slot
<b>Certifications</b>	FCC, CE
<b>Warranty</b>	Two-year limited warranty. See warranty document for details.

### LCD Features

<b>Display Screen</b>	a-Si TFT active-matrix LCD
<b>Interactive Screen Type</b>	DViT with Active Pen or Finger Touch (Dual Touch)
<b>Communication Interface</b>	USB 2.0 (high speed)
<b>Resolution</b>	1280 × 1024 pixels
<b>Synchronization Range</b>	Horizontal: 30 kHz–56.5 kHz Vertical: 50 Hz–70 Hz <b>NOTE:</b> Some Macintosh computers transmit video signals outside the 50 Hz–70 Hz synchronization range. These models cannot be used with the Symposium interactive pen display.
<b>Viewing Angle</b>	Horizontal 70° Vertical 60°
<b>Color Depth</b>	16.2 million Colour Emulation via FRC
<b>Contrast Ratio</b>	300:1 minimum, normal to screen, center position
<b>Brightness</b>	Luminance of 200 cd/m <sup>2</sup> (typical)
<b>Input Video Signal</b>	Analog 0.7 Vp-p positive at 75 ohm
<b>Auto Adjustment</b>	Less than 2 seconds
<b>Display Response Time</b>	8 milliseconds, typical
<b>On-Screen Display Control</b>	Brightness, Contrast Horizontal Position, Vertical Position, Clock, Phase, OSD off time, Language, Sharpness, Reset, Color Setting, Color Adjustment for Red, Green and Blue

## Specifications – Model DT770

### Storage and Operating Specifications

<b>Storage</b>	-4°F to 140°F (-20°C to 60°C) with 80% humidity, non-condensing
<b>Operation</b>	41°F to 95°F (5°C to 35°C) with 20% to 80% humidity, non-condensing

### Computer Requirements

<b>Windows® Operating Systems</b>	Pentium® 150 MHz processor (450 MHz or faster recommended) 128 MB of RAM (256 MB recommended) Available USB or serial port Approximately 160 MB of free hard disk space for full installation Windows NT® 4.0 (SP6), Windows 98 operating system or later Microsoft Internet Explorer 6.0 or later Macromedia® Flash® player version 7.0.19 or later (recommended)
-----------------------------------	--

<b>Requirements for SMART Video Player</b>	Pentium 450 MHz processor (700 MHz or faster recommended) Windows 98 operating system or later. Does not run on the Windows NT operating system. Microsoft DirectX® 8.1 End-User Runtime or later
--	---

<b>Macintosh Computers</b>	400 MHz processor (800 MHz or faster recommended) 128 MB of RAM (256 MB recommended) Mac OS X version 10.1.5 or later (with Java™ version 1.3.1 update 1 or later) 50 MB of free hard disk space for minimum installation, 115 MB for full installation with Gallery collections Available powered USB port NOTE: SMART Board software is not compatible with versions 10.3.0, 10.3.1 or 10.3.2 of the Mac OS X operating system. To use the handwriting recognition feature, you must have Mac OS X version 10.3.3 or later.
----------------------------	---

### SMART Order Number

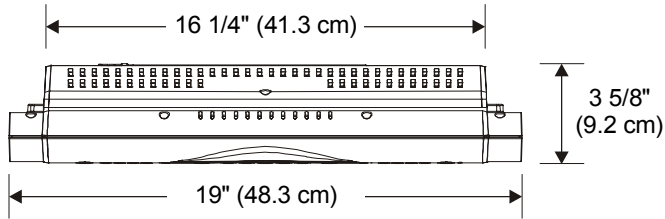
<b>SSDT770</b>	Sympodium DT770 interactive pen display
----------------	---

**SMART Technologies Inc.**  
1207 – 11 Avenue SW, Suite 300  
Calgary, AB T3C 0M5  
CANADA  
Phone +1.403.245.0333  
Toll Free 1.888.42.SMART (Canada/U.S.)  
info@smarttech.com www.smarttech.com

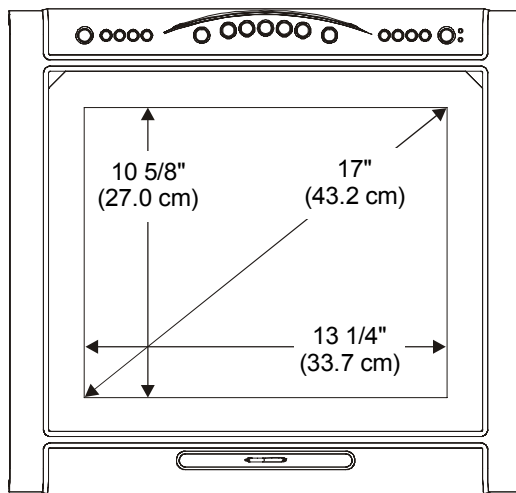
**SMART**  
Technologies

# Symposium™ Interactive Pen Display

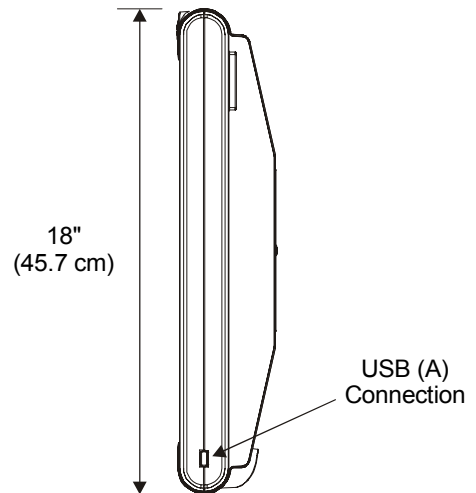
## Specifications – Model DT770



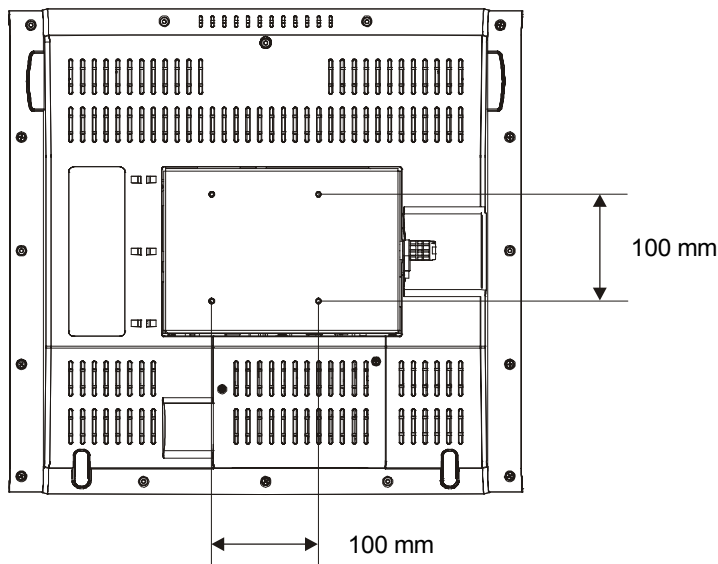
Top View



Front View



Side View



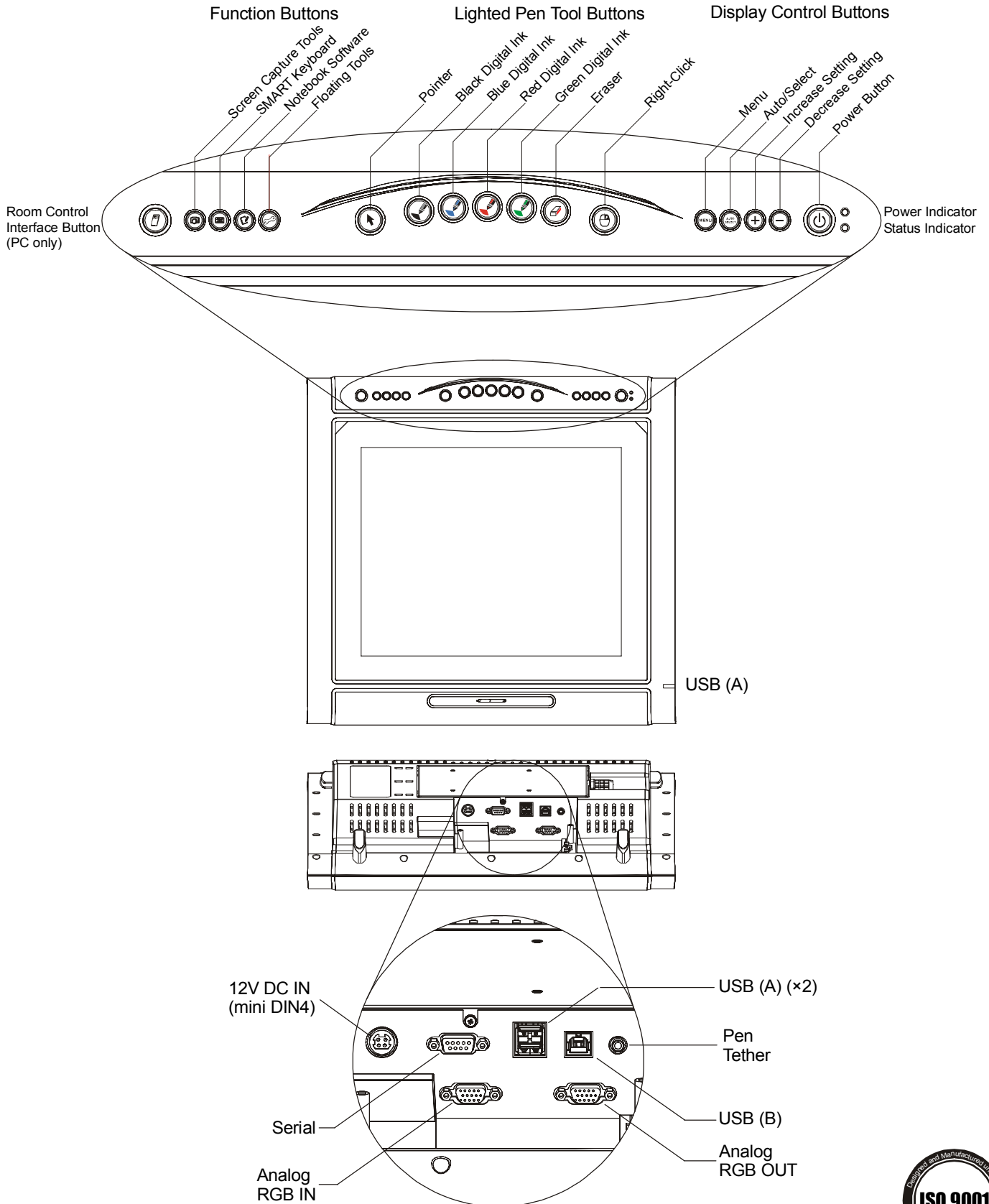
Back View

All dimensions are +/- 1/8" (3.2 mm)



# Symphodium™ Interactive Pen Display

## Specifications – Model DT770



All dimensions are +/- 1/8" (3.2 mm)

